

Create a healthier, more comfortable home to live in



ComfoAir 180 heat recovery unit

The ultra-compact Zehnder ComfoAir 180 is suitable for medium sized apartments and small homes. It features a high efficiency counter-flow heat exchanger that can recover up to 95% of the heat.



FANTECH
Intelligent Ventilation

Creating healthy buildings with

zehnder

Ultra Compact – Maximum Comfort

The Zehnder ComfoAir 180 is an ultra-compact, heat recovery ventilation system that is highly suited to new builds and renovation projects.

The ComfoAir extracts air from wet rooms (kitchens and bathrooms) to provide maximum comfort with simple operation and high efficiency. It extracts the heat energy which would have otherwise been lost during the extract process and transfers this to the fresh, filtered supply air which is drawn in from outside.

This is done using high efficiency counter-flow heat exchangers which can recover up to 95% of the heat.



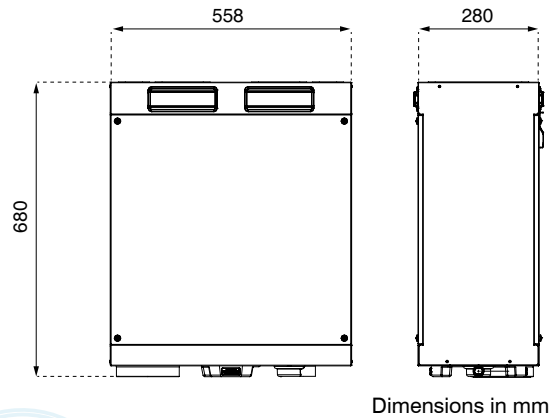
Features

- Ideal for installation into a kitchen or bathroom cupboard
- Automatic 100% filtered bypass
- Designed for use with the unique ComfoPipe Plus Twin Duct system
- Features an additional supply air connection at the bottom of the unit for added installation flexibility
- Certified as an official Passive House component by the Passivhaus Institut

Specifications

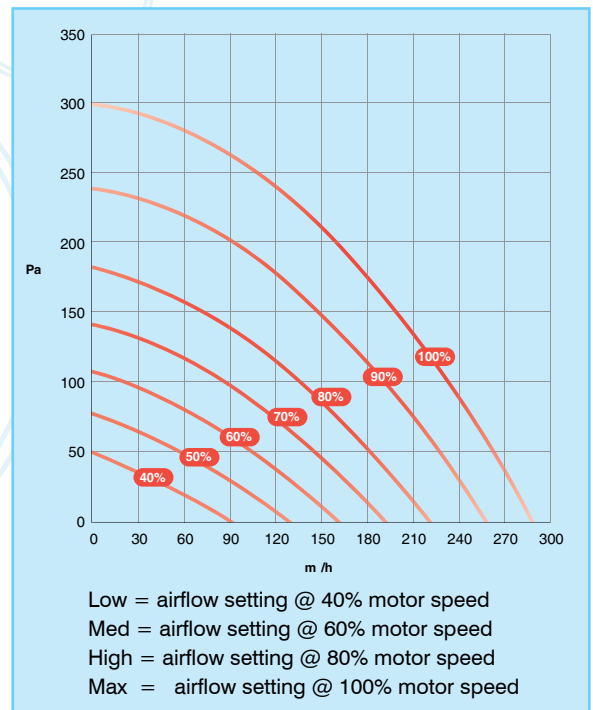
Weight:	27kg
Ducting:	4 x 220 x 60mm spigots 1 x Ø125mm optional supply air connector
Condensate connection:	20mm
Materials:	Internal body - EPP / PA
Unit housing	Coated steel
Fans:	EC
Filters:	Standard - G4 Supply air option: F7

Dimensional Data



Dimensions in mm

Performance Curve



Technical Data

Model No.	Energy consumption in Watts				Sound Level @ 0m in dB(A)			
	Low	Medium	High	Max	Low	Medium	High	Max
CA180	15	26	45	84	33	39	46	50



Scan the QR Code for more information



For further information:
Fantech Pty. Ltd.

Australia:
 Phone: (03) 9554 7813
 Email: jseagren@fantech.com.au
 Web: energyrecovery.com.au

New Zealand:
 Phone: (09) 444 6266
 Email: grant@fantech.co.nz
 Web: mvhr.co.nz

Specifications and design subject to change without notice.